

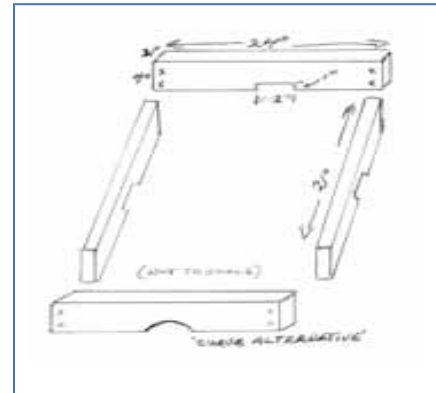
TURTLE NESTING PROTECTORS

Every May to June female turtles leave their homes in wetlands to lay their eggs on land. The “nest” made by the turtle is a pretty simple creation with the female digging a hole in the ground in a sunny location, laying her eggs in the hole, and then covering up the eggs with the soil. The eggs hatch weeks to months later and the hatchlings head to water. Unfortunately, for the turtle that beyond human interference in habitat and poaching there are also other creatures such as racoons that would love to eat all of those tasty turtle eggs. If you find a turtle nesting on your property, leave the nest where it is, and protect it from predators by putting a nest protector over it as soon as possible.

A few options for making a protector are readily available via a quick internet search, however, we are providing you a DIY project that you can build.

This design requires:

- 1 - 2" x 4" x 8' lumber (cut into 2@21" and 2@24" pieces)
- 8 - 3" screws (deck screws)
- 1 - 24 x 24" wire screen (Galvanized ¼ or ½" mesh)
- 20 - Wire staples (Galvanized ½ - ¾ ")
- 4 - spikes (eg: Galvanized 12" Pegs) or rocks.



* This nest protector could be built in about 20 to 60 minutes, providing your level of DIY.

Step 1:



FIGURE 1

Cut 2" x 4" into 4 pieces. Two at 24" and two at 21" and place notches face down, as in Figure 1.

Cut one 1" deep by 2" wide notch in the middle of each 2" x 4" piece to allow the baby turtles out when they hatch, as in Figure 2.



FIGURE 2

Step 2:



FIGURE 3

Build a square from the 2 x 4 pieces by securing the each corner with the 3" screws as in Figure 4.

We recommend drilling and countersinking the holes before securing the corners with screws to prevent splitting of wood as in Figure 3.



FIGURE 4

Step 3:



FIGURE 5

Secure the wire mesh to the top of the square with a staple gun, to aid in stretching out the wire as in Figure 5.

Hammer the wire staples into the wire mesh as in Figure 6.

The more galvanized heavy staples you use will prevent large critters from destroying the nest.



FIGURE 6

Step 4:



Place protector over nest and secure with spikes or rocks.

